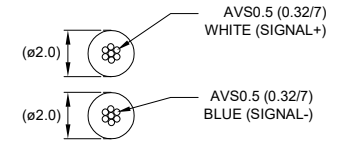
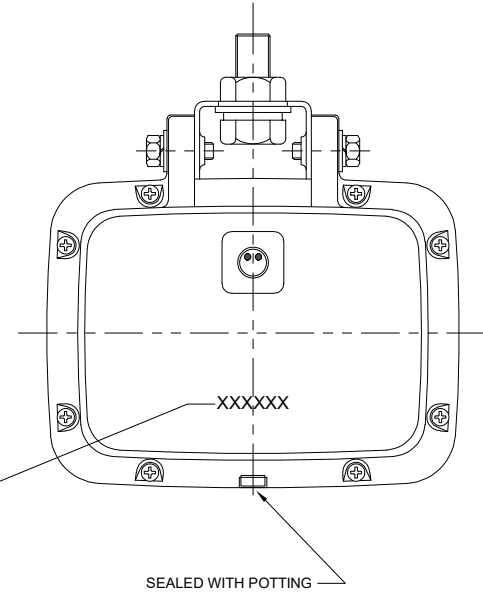
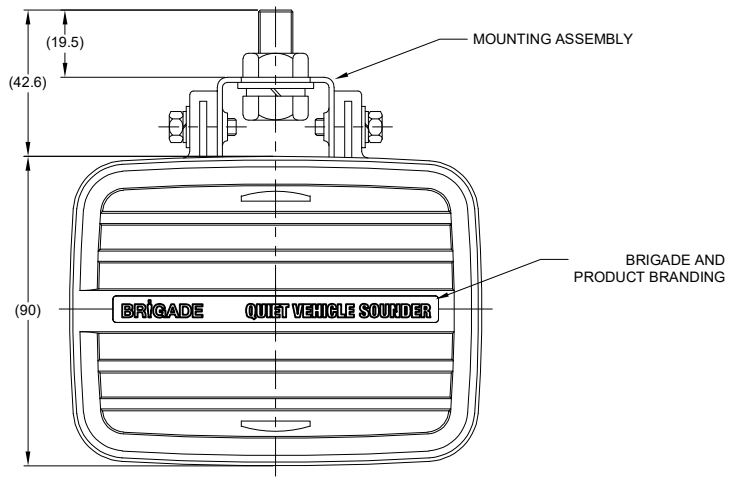
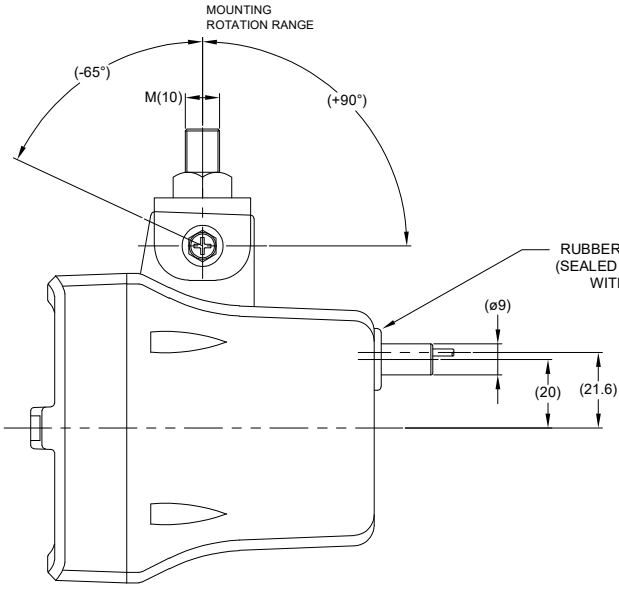
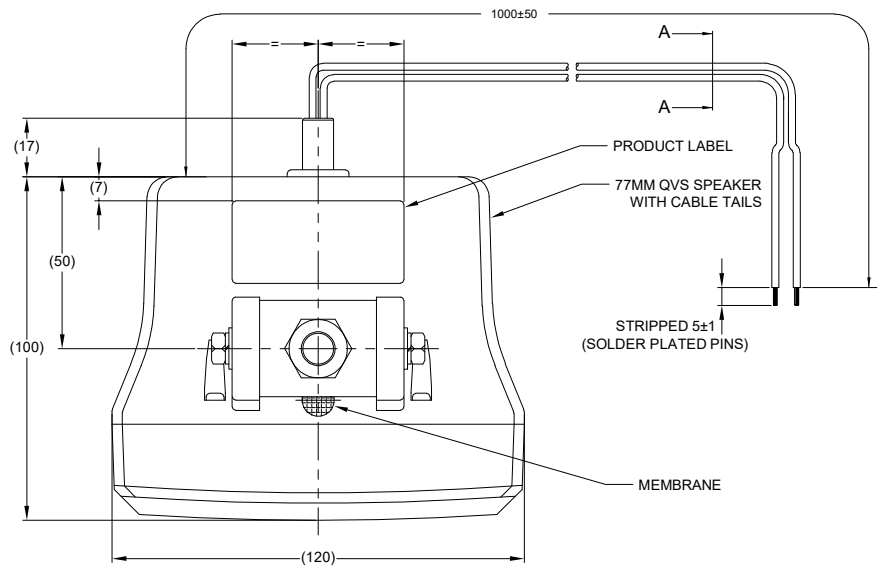


Revision Notes.				
R1 - CORRECT THE MATERIALS AS PER CR-A1115. UPDTAE DRAWING FRAME.				
APA: W. FUKUZAWA	Drawn: L. CHEUNG	Checked: D. FOALE	Approved: A. KEBEDE	Date: 14/04/2025

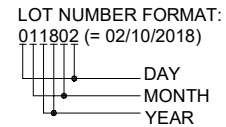
VIEW A-A
CABLE BUILD-UP



- SPEAKER SPECIFICATION:**
1. RATED INPUT POWER (NOM): 3 WATTS.
 2. IMPEDANCE: 8Ω.
 3. NOMINAL SOUND PRESSURE LEVEL: 87dB±6 (AS DETERMINED AT A DISTANCE OF 1M FROM THE FRONT OF THE BODY).
 4. RATED FREQUENCY RANGE: 250Hz to 8kHz.



- NOTES:**
1. FINISH: MATT BLACK.
 2. HOUSING MATERIAL: AES PLASTIC.
 3. FOR PRODUCT LABELING AND PACKAGING DETAIL REFER TO THE LATEST VERSION ON THE MASTER BOM.
 4. MOUNTING ASSEMBLY SUPPLIED.
 5. M10 FIXING KIT ALLOWS SPEAKER TO BE MOUNTED TO VEHICLE.
 6. M5 FIXING KIT ALLOWS FOR THE ADJUSTING OF SPEAKER MOUNTING ANGLE.
 7. BRIGADE BRANDING TO BE PRINTED IN WHITE SILKSCREEN.
 8. REFER TO MASTER ARTWORK FILE FOR DETAILED ARTWORK RAW FILE "QVS-SPK-01-BRANDING.AI".
 9. EPOXY (POTTING) Poured INTO BASE OF SPEAKER TO DEPTH OF APPROXIMATELY 7MM, TO SEAL RUBBER GROMMET FROM DUST/WATER INGRESS.



PROPRIETARY NOTICE
THIS DESIGN AND TECHNICAL INFORMATION APPEARING ON THIS DRAWING IS THE PROPERTY OF BRIGADE ELECTRONICS, AND IS DISCLOSED IN CONFIDENCE. IT IS NOT TO BE COPIED, REPRODUCED, REVEALED TO OR EXPROPRIATED BY OTHERS, EITHER IN WHOLE OR IN PART WITHOUT THE EXPRESS WRITTEN CONSENT OF BRIGADE ELECTRONICS.



Sheet 1 of 1	Assembly Pl Approval K. IIDA	Approved by B. JOHN	Checked by L. PILLAY	Drawn by J. STEWART
Customer Approval N/A	Angle of Projection Third Angle	Units mm	Scale N/A	Released 24/10/18
		Status RELEASED	QVS-SPK-01	
		Part No 5389	BE-003868-01-18	